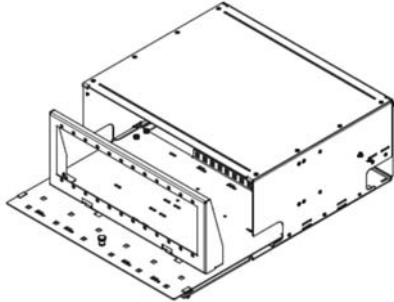


SSF-4RU-E12 Installation

4 RU Enclosure, Empty; 12 Plates



FEATURES



- Up to 4 adapter plates or MTP modules
- Includes 2 flush mount and 2 recessed 19" rack mount ears
- Slide out master tray, front or rear
- Universal cable entry kit

INSTALLATION

CONTENTS

- Rack Mount Panel
- 19/23" Mounting Brackets
- Cable entry clamp
- Screws

The SSF-4RU-E12 is a rack mount distribution enclosure which fits both 19" and 23" Racks.

1. Secure either 19" or 23" Rack mount ears to panel using supplied screws
2. Position Enclosure at desired location in the Rack. This unit will consume 4RU of space



3. Install cable entry clamp on either left or right rear depending on feeder cable entry using supplied screws

4. Prep the feeder cable for termination per cable manufacturer's instructions, typically 1 meter jacket removal. Pull cable to suitable work surface.
5. Remove master plate from front or rear to assist with fiber routing. Terminate or fusion splice feeder cable. Re install master plate with feeder cable. Store excess feeder in slack storage loop.



6. Secure feeder cable to cable entry clamp using supplied hose clamps or other suitable fastener like a zip-tie.

CLEERLINE TECHNOLOGY GROUP, LLC

8404 El Way Drive #2B, Missoula, MT 59808 USA & CAN: 866-469-2487 Fax 406.532.0060 Int'l +1.406.541.9830 Int'l Fax 1.406.532.0060
Web: www.cleerlinefiber.com Copyright 2012 Cleerline Technology Group, LLC. All rights reserved. Subject to change without notice.

Date: 9/10/2018 Rev. 1.6