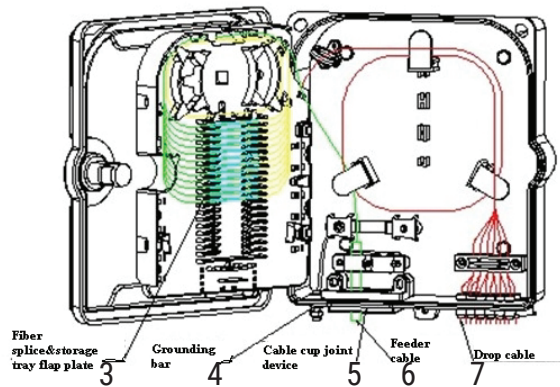
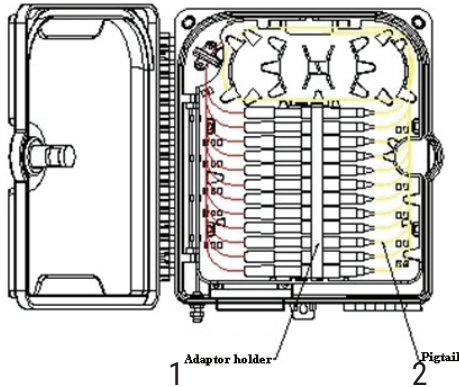


SSF-OTB12 Installation

Outdoor Terminal Box



DESCRIPTION

The SSF-OTB12 Outdoor Terminal Box is used as a termination point for feeder cables to connect with drop cables in FTTH, telecommunications, data network, LAN applications, etc.

FEATURES

- PC + ABS material, waterproof, dust-proof, protection level up to IP65
- Clamp for feeder cable and drop cable, fiber splicing, and distribution areas
- Cable management for cables, pigtails, patch cords
- Hinged inner distribution panel for two levels of cable management
- Accommodates SC or LC adapters

ACCESSORIES

- (1) User's Manual
- (1) Key
- (1) Accessories Bag

WALL MOUNTED INSTALLATION

1. Drill 4 holes in wall based on dimensions noted in diagram. Dimensions are 168 mm wide x 210 mm high.
2. Place wall anchors.
3. Place box to match the holes and fasten.

DIAGRAM

1. Adapter Holder
2. Pigtail
3. Fiber and splice storage
4. Grounding bar
5. Cable entry clamp
6. Feeder cable
7. Drop Cable

SPECIFICATIONS

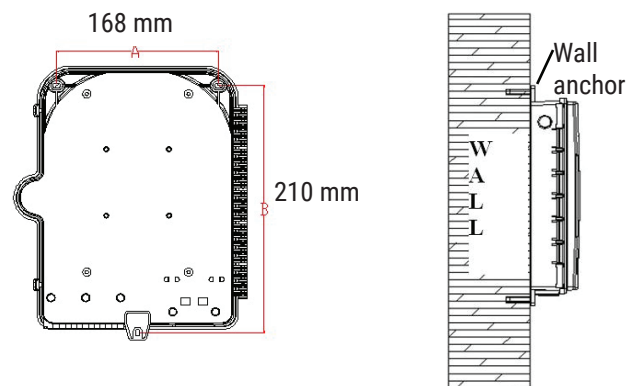
ENVIRONMENTAL REQUIREMENTS

Working Temperature	-40°C - +85°C
Relative Humidity	< 85% (+30°C)
Atmospheric Pressure	70 kPa - 106 kPa

GROUNDING

Isolation Resistance	$\geq 2 \times 10^4 \text{ M } \Omega / 500\text{V}$
----------------------	--

The withstanding voltage between grounding device and cabinet is no less than 3000 volts (DC)/min, no puncture, no flashover. $U \geq 3000 \text{ V}$



PART NUMBER	DIMENSIONS	FIBER PORT CAPACITY	FEEDTHROUGH CAPACITY	MOUNTING DIMENSIONS (DISTANCE BETWEEN HARDWARE OPENINGS)
SSF-OTB12	22.6 x 21.3 x 6.7 cm 8.9 x 8.3 x 2.6 in	12 SC / 24 LC	12 SC / 12 Duplex LC	168 x 210 mm / 6.6 x 8.3 in