

# SSF-OTB4 Installation

Outdoor Terminal Box



## DESCRIPTION

The SSF-OTB4 Outdoor Terminal Box is used as a termination point for feeder cables to connect with drop cables in FTTH, telecommunications, data network, LAN applications, etc.

## FEATURES

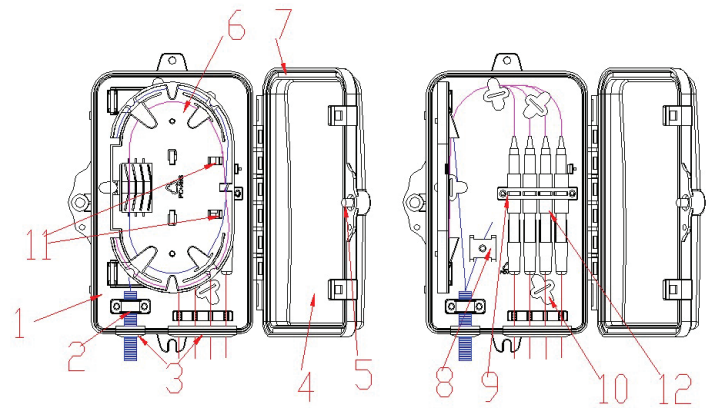
- PC + ABS material, waterproof, dust-proof, protection level up to IP65
- Clamp for feeder cable and drop cable, fiber splicing, and distribution areas
- Cable management for cables, pigtails, patch cords
- Hinged inner distribution panel for two levels of cable management
- Accommodates SC or LC adapters

## ACCESSORIES

- (1) User's Manual
- (1) Key
- (1) Accessories Bag

## SPECIFICATIONS

ENVIRONMENTAL REQUIREMENTS	
Working Temperature	-40°C - +85°C
Relative Humidity	< 85% (+30°C)
Atmospheric Pressure	70 kPa - 106 kPa

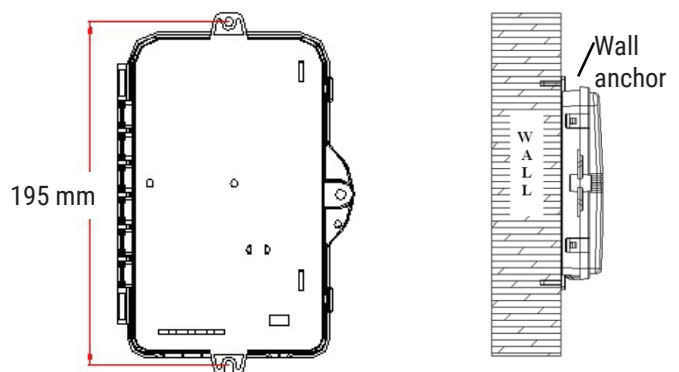


## DIAGRAM

1. Base
2. Main cable mount layer
3. Waterproof rubber tube
4. Lid
5. Lock
6. Hinged plate
7. Seal gasket
8. Main cable strength mount layer
9. Adapter holder
10. Pigtail bar
11. PLC mounting position
12. Adapter

## WALL MOUNTED INSTALLATION

1. Drill 2 holes in wall based on dimensions noted in diagram. Dimensions are 195 mm wall anchor placement.
2. Place wall anchors.
3. Place box to match the holes and fasten.



PART NUMBER	DIMENSIONS	FIBER PORT CAPACITY	FEEDTHROUGH CAPACITY	MOUNTING DIMENSIONS (DISTANCE BETWEEN HARDWARE OPENINGS)
SSF-OTB4	19.6 x 13.4 x 4.0 cm   7.7 x 5.3 x 1.6 in	4 SC / 8 LC	4 SC / 4 Duplex LC	195 mm / 7.7 in