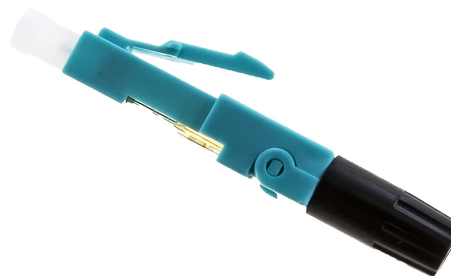


Cleerline™ LC, SC, and FC mechanical connectors ensure precise fiber alignment, producing low loss terminations for all Multimode or Single Mode applications.

Connectors are compatible with 250 μm, 900 μm, 2.0 mm, and 3.0 mm cables. No crimping or proprietary tooling is required to terminate. Each connector features a large confirmation window for easy verification and a V-groove channel for easy fiber insertion.

Connectors are compatible with all SSF™ fibers as well as standard fiber optic cabling.



**FEATURES AND BENEFITS**

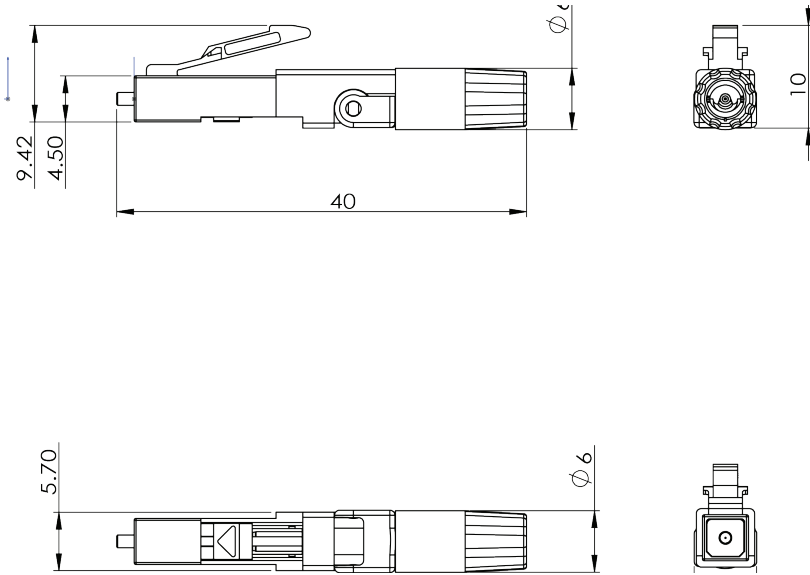
- Pre-polished connectors
- No crimping required
- Large confirmation window
- Exclusive hinge-based design
- Compatible with 250 μm, 900 μm, 2.0 mm, and 3.0 mm cable
- Build-up tubes included
- Available in Single Mode and Multimode, LC, SC, and FC styles
- Single Mode UPC and APC styles available

**APPLICATIONS**

- Premise/Enterprise Networks
- Backbone, Horizontal, and FTTx applications
- Data Center, Enterprise, Broadcast, Industrial
- Defense, Healthcare, and Telco/MSO
- Field repair/replacement
- LAN/WAN connections

IMAGE	PART NUMBER	TYPE	FIBER TYPE	POLISH	INSERTION LOSS	RETURN LOSS	COLOR	PACK
	SSF-LC-MMFPC-10	LC	OM3/OM4 Multimode	Ultra Physical Contact	Typical ≤ 0.3 dB Max 0.5 dB	≥ 26 dB	Aqua	10 pack
	SSF-LC-MMFPC-25	LC	OM3/OM4 Multimode	Ultra Physical Contact	Typical ≤ 0.3 dB Max 0.5 dB	≥ 26 dB	Aqua	25 pack
	SSF-LC-SMUPC-10	LC	OS1/OS2 Single Mode	Ultra Physical Contact	Typical ≤ 0.3 dB Max 0.5 dB	≥ 45 dB	Blue	10 pack
	SSF-LC-SMUPC-25	LC	OS1/OS2 Single Mode	Ultra Physical Contact	Typical ≤ 0.3 dB Max 0.5 dB	≥ 45 dB	Blue	25 pack
	SSF-LC-SMAPC-10	LC	OS1/OS2 Single Mode	Angled Physical Contact	Typical ≤ 0.3 dB Max 0.6 dB	≥ 55 dB	Green	10 pack
	SSF-LC-SMAPC-25	LC	OS1/OS2 Single Mode	Angled Physical Contact	Typical ≤ 0.3 dB Max 0.6 dB	≥ 55 dB	Green	25 pack
	SSF-SC-MMFPC-10	SC	OM3/OM4 Multimode	Ultra Physical Contact	Typical ≤ 0.3 dB Max 0.5 dB	≥ 26 dB	Aqua	10 pack
	SSF-SC-MMFPC-25	SC	OM3/OM4 Multimode	Ultra Physical Contact	Typical ≤ 0.3 dB Max 0.5 dB	≥ 26 dB	Aqua	25 pack
	SSF-SC-SMUPC-10	SC	OS1/OS2 Single Mode	Ultra Physical Contact	Typical ≤ 0.3 dB Max 0.5 dB	≥ 45 dB	Blue	10 pack
	SSF-SC-SMUPC-25	SC	OS1/OS2 Single Mode	Ultra Physical Contact	Typical ≤ 0.3 dB Max 0.5 dB	≥ 45 dB	Blue	25 pack
	SSF-SC-SMAPC-10	SC	OS1/OS2 Single Mode	Angled Physical Contact	Typical ≤ 0.3 dB Max 0.6 dB	≥ 55 dB	Green	10 pack
	SSF-SC-SMAPC-25	SC	OS1/OS2 Single Mode	Angled Physical Contact	Typical ≤ 0.3 dB Max 0.6 dB	≥ 55 dB	Green	25 pack
	SSF-FC-SMUPC-10	FC	OS1/OS2 Single Mode	Ultra Physical Contact	Typical ≤ 0.3 dB Max 0.6 dB	≥ 45 dB	Black	10 pack

**LC TYPE SSF™ Connectors: MM, SM/UPC, SM/APC**



**SC TYPE SSF™ Connectors: MM, SM/UPC, SM/APC**

