

Cleerline™ ST mechanical splice connectors ensure precise fiber alignment, producing low loss terminations for all Multimode or Single Mode applications.

Connectors are compatible with 250 µm, 900 µm, 2.0 mm, and 3.0 mm cables. No crimping or proprietary tooling is required to terminate. Each connector features a large confirmation window for easy verification and a V-groove channel for easy fiber insertion.

Connectors are compatible with all SSF™ fibers as well as traditional fiber optic cabling.

**FEATURES AND BENEFITS**

- Pre-polished connectors
- No crimping required
- Large confirmation window
- Exclusive hinge-based design
- Compatible with 250 µm, 900 µm, 2.0 mm, and 3.0 mm cable
- Build-up tubes included
- Available in Single Mode and Multimode
- Single Mode UPC and APC styles available

**APPLICATIONS**

- Premise/Enterprise Networks
- Backbone, Horizontal, and FTTx applications
- Data Center, Enterprise, Broadcast, Industrial, Defense, Healthcare, and Telco/MSO
- Field repair/replacement
- LAN/WAN connections

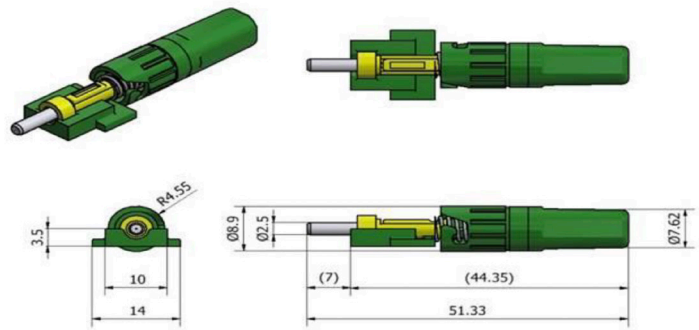


IMAGE	PART NUMBER	TYPE	FIBER TYPE	POLISH	INSERTION LOSS	RETURN LOSS	COLOR	PACK
	SSF-ST-MMUPC-02	ST	OM3/OM4 Multimode	Ultra Physical Contact	Typical ≤ 0.3 dB Max 0.5 dB	≥ 50 dB	Aqua	2 pack
	SSF-ST-SMUPC-02	ST	OS1/OS2 Single mode	Ultra Physical Contact	Typical ≤ 0.3 dB Max 0.5 dB	≥ 50 dB	Blue	2 pack
	SSF-ST-SMAPC-02	ST	OS1/OS2 Single mode	Angled Physical Contact	Typical ≤ 0.3 dB Max 0.5 dB	≥ 50 dB	Green	2 pack